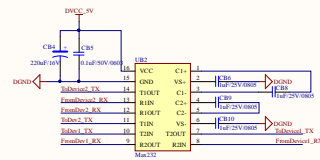
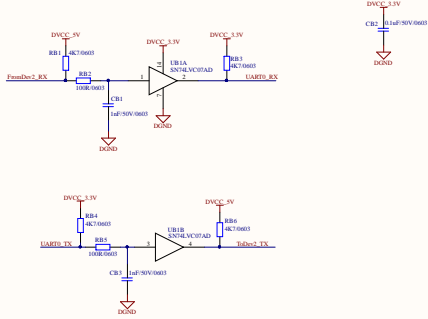
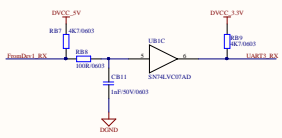


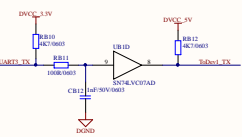
RS232_1 Device2->Uart0



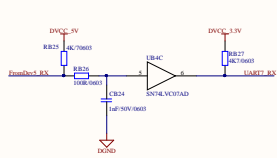
RS232_2



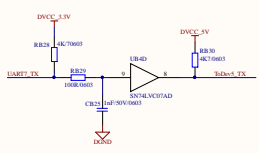
Device1->Uart3



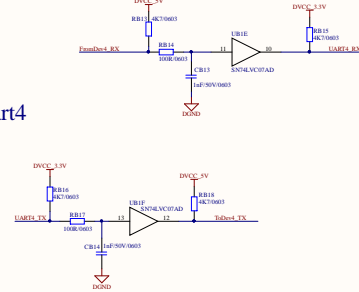
RS232_5



Device5->Uart7

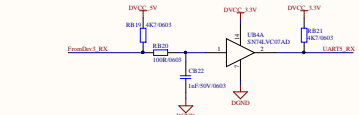


RS232_3

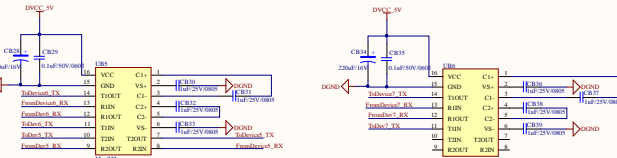
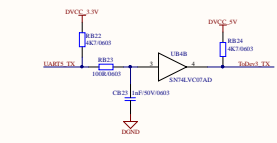


Device4->Uart4

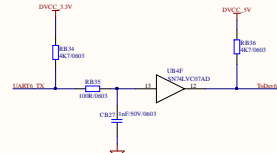
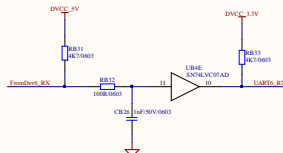
RS232_4



Device3->Uart5



Device6->Uart6

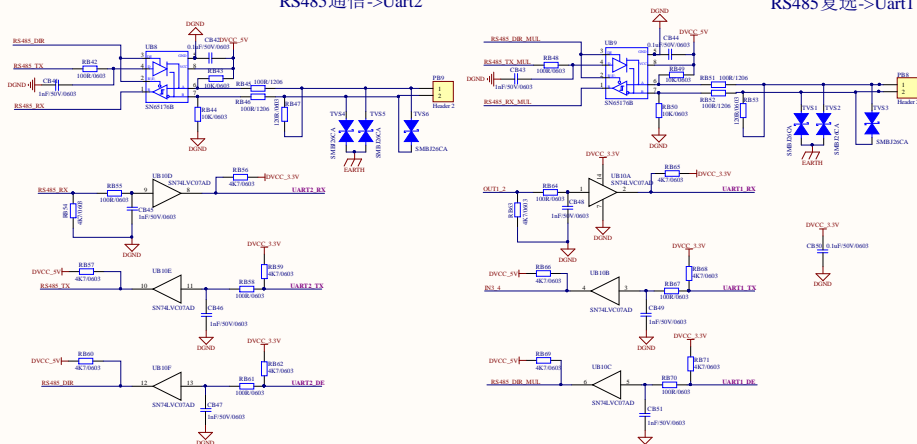


RS485 Or RS232 二选一

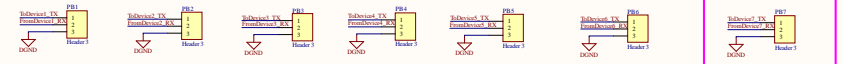
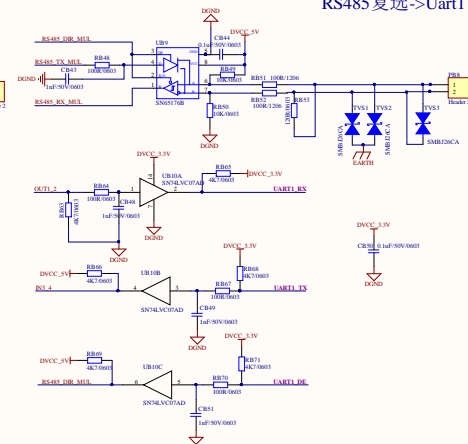


When UART_SEL is H level, RS485 is level and RS232 is H level. UART is RS232. Other, UART is RS485.

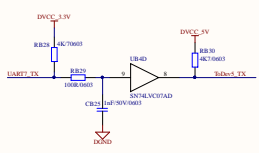
RS485通信->Uart2



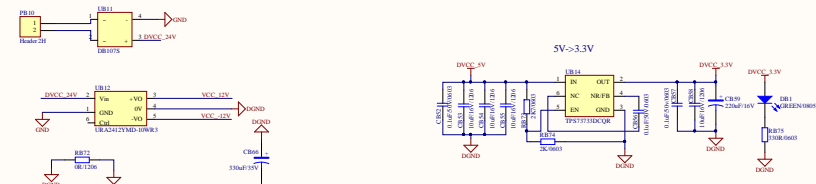
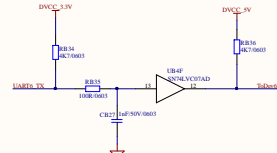
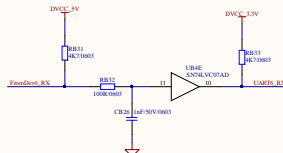
RS485复选->Uart1



Device5->Uart7



Device6->Uart6



12V->5V

